

# ALL NEW MODEL 3650 ENVIRONMENTAL BRUSH CUTTER

**A LIGHT FOOTPRINT  
AND A BIG BITE!**



**SAFE, EFFICIENT VEGETATION MANAGEMENT**

**FRANKLIN**

# C3650 ENVIRONMENTAL BRUSH CUTTER

## ENGINE:

Manufacturer..... Cummins  
 Model/Cyls..... 6BTA5.9/6Cyls  
 Max HP.....200 @ 2500 RPM (149 kw)

## POWER TRAIN:

Transmission ... 2 Speed Hydrostatic Variable Displacement  
 Axle..... Franklin Hydraulic Transaxle, Right Angle Drive  
 Brakes, Parking ..... Spring Applied, Hydraulic Release

## TRAVEL SPEEDS: (mph)

Low-Forward and Reverse .. 0-3.3 MPH (Infinitely Variable)  
 High-Forward and Reverse .. 0-6.6 MPH (Infinitely Variable)

## HYDRAULIC SYSTEM:

Hydraulic Reservoir Capacity ..... 67 gal.  
 Filtration ..... 10 Micron Return Line By-Pass Filter  
 And Suction Strainer  
 Lift & Tilt Pump (gear type) ..... 28 GPM @ 2500 RPM  
 Shear ..... 59 GPM @ 2500 RPM  
 Brush Cutter (w/185 HP).....59 GPM @ 2500 RPM  
 Brush Cutter (w/200 HP).....82 GPM @ 2500 RPM  
 Remote Control Runs Off Charge Pressure

## TIRES:

Standard ..... 24.5" x 32" LS2 Steel Reinforced  
 Tail Wheel ..... 21.5L x 16.1 SL  
 (For Special Applications, Consult Factory)

## WEIGHT:

With Standard Equipment 21,000 lbs. (9,525 kg)(Estimated)  
 (Less Attachment)

## STANDARD EQUIPMENT:

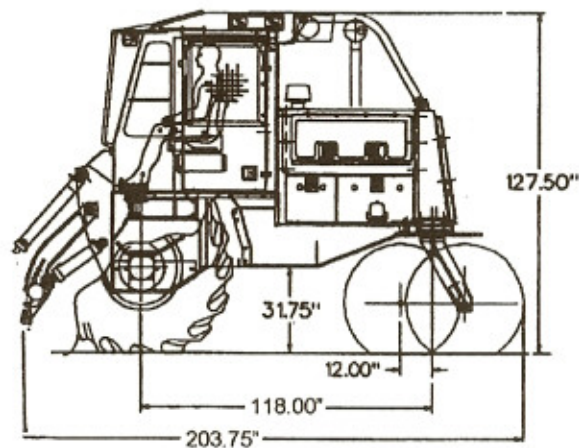
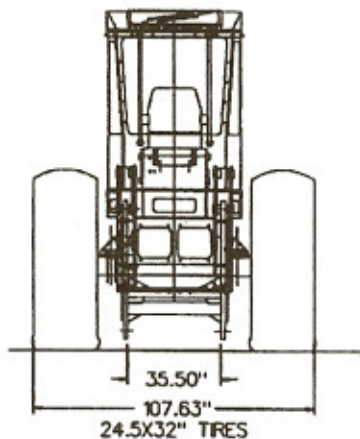
Two Stage Dry Air Cleaner  
 12 Volt Electrical System  
 Electrical Disconnect with Reminder Light  
 Cigarette Lighter, Horn, Hour Meter  
 Fire Extinguisher  
 Access Panels  
 Full Belly Pan  
 Canopy Over Engine Compartment  
 Grill Insert  
 Muffler  
 Lights  
 79 Gallon Fuel Tank  
 Thick Floor Mat  
 Suspension Seat with Belts  
 Lexan Windshield (Front & Rear)  
 Shock Mounted Engine and Radiator  
 Joystick Forward & Reverse Controls  
 Full Counter Rotation Steering  
 Cab Fan  
 Hydraulic Actuated, Multi Function Single Lever  
 Control for Tilt, Lift and Cutting  
 All Weather Cab Enclosure  
 Air Condition/Heater

## OPTIONS:

Water Tank  
 Joystick Steering  
 Attachment Mount  
 Sand Screen  
 Air Compressor

All Mounts and Attachments Must Be Approved By  
 Franklin Equipment Company

2/05



ALL SPECIFICATIONS ARE SUBJECT TO CHANGE  
 For more information, See your local Franklin Dealer  
 Or write Franklin Equipment Company, Post Office  
 Box 687, Franklin, Virginia 23851  
 757-562- 6111 – www.franklin-treefarmer.com

